

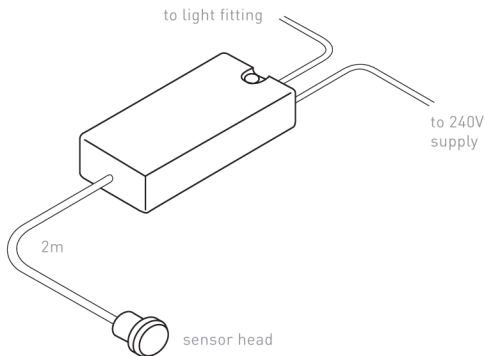
# IR Sensor Switch - 240V

## LL SENS

IR SENSOR ON/OFF



## CONNECTIVITY



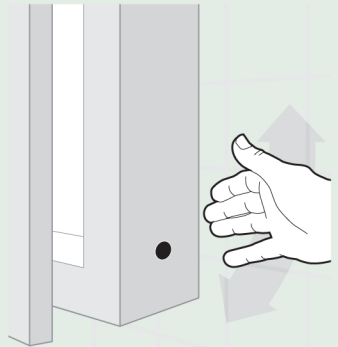
## FEATURES

Senses hand movement in front of the sensor eye.

Switches both mains and low voltage lighting

I/P and O/P wiring required

## HOW IT WORKS



## WHAT'S INCLUDED

1 x IR sensor switch

1 x Sensor head with 2m cable

## SPECIFICATIONS

CODE	DESCRIPTION	VOLT	WATT
LR SENS	IR on/off switch	250V	250W