

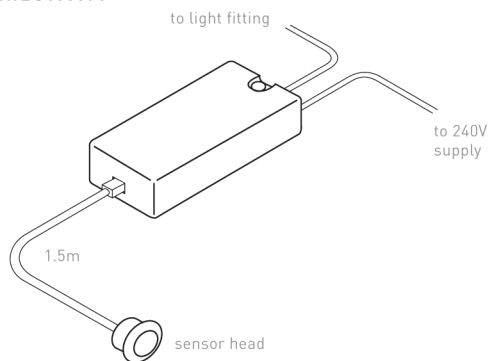
PIR Sensor Switch

PIR-SENTIM

PIR SENSOR SWITCH



CONNECTIVITY



FEATURES

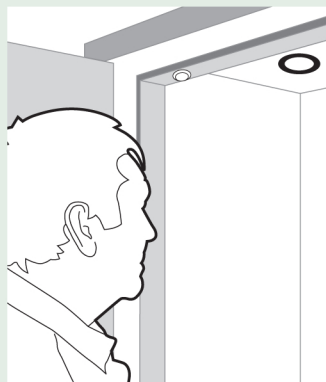
Detector will switch on the connected lights when it senses the motion of a body

Switches off with adjustable time delay 10 sec to 3 mins

Detector range up to 2.5m

I/P and O/P wiring required

HOW IT WORKS



WHAT'S INCLUDED

PIR sensor switch
with 1.5m cable to sensor head

SPECIFICATIONS

CODE	DESCRIPTION	VOLT	WATT
PIR-SENTIM	PIR Sensor Switch	240V	250W